

Keep moving what needs to stay in motion

DA2*motion*

The next generation



Water sector



Energy sector



Chemical industry



Oil & gas industry



Transport sector



Engineering





Always moving with the **DA2***motion*



Across all industries

Water, energy, transport or chemical industry – the DA2*motion* guarantees that work is performed quickly and safely.

Mobile

Our latest wireless drive solution covers all your motion tasks off.

Diversity

Our expansion kits offer accessories to meet your specific needs.



Fast and powerful

- High output speed (up to 99 rpm)
- Four-speed gear drive improves work rates compared to similar drive systems
- 5.2 Ah Li-ion high-power batteries provide permanently high supply of electricity
- Time-Savings thanks to one single mobile drive solution for all work tasks

NEW!

Precise and flexible

- Digital counter with high resolution in increments of 10, for a precise repositioning
- Optimum gear ratio due to precise planetary gear
- Two versions with max. torque either 550 Nm or 1,000 Nm
- Extensive expansion kits offer perfectly matching accessories for any job

NEW!

Ergonomic and safe

- Low vibrations and low noise due to brushless FEIN[®] drive
- Soft start and stop function due to infinitely adjusting trigger: for preventing system damage
- Patented fully automatic swivel joint lock: prevents punches on wrists and arms and swivelling of the nutrunner
- Reaction arm with bump stop: protecting pressure-sensitive surfaces

NEW!



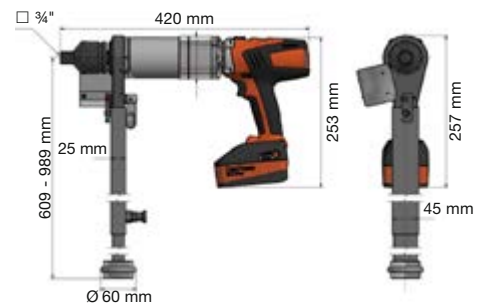
DA2motion – the next generation

Basic set

- DA2motion battery nutrunner
- Extendable reaction arm with digital rotation counter
- 2 x 5.2 Ah high-power Li-ion batteries
- Rapid charger with USB port and active cooling, available for 230 V or 110 V
- Safe and perfectly packed in hardcase trolley, protection class IP 67

NEW!

NEW!



Models

Type	Art. no. (230V)	Torque range [Nm]	Speed* 1st gear [rpm]	Speed* 2nd gear [rpm]	Speed* 3rd gear (rpm)	Speed* 4th gear [rpm]	Drive [inches]	Weight** [kg]
DA2motion-05	78951	85 - 550	11,1	22,0	50,2	99	3/4"	5,35
DA2motion-10	78953	115 - 1 000	6,8	13,9	31,7	63	3/4"	5,35

Additional performance classes available upon request

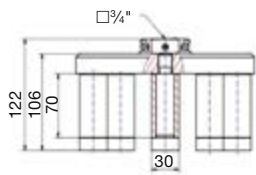
Zero-load speeds **Weights including battery but without reaction arm.

Accessory sets

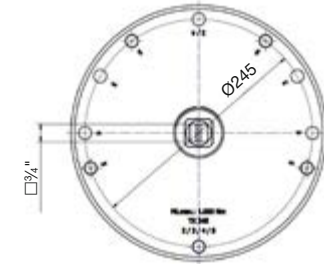
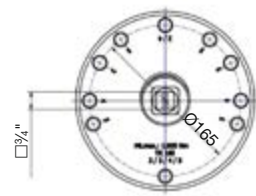
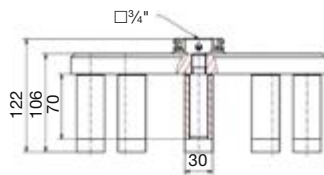
Handwheel set

- Handwheel adapter in two sizes
- Up to five separately changeable carrier dogs
- Plastic coating for preventing surface damage

Adapter 165



Adapter 245

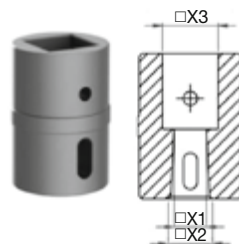


Type	Art. no.	Drive [inches]	Spindle pitch circle Ø [mm]	Torque max. [Nm]
Handwheel adapter 165	78857	3/4"	165	1000
Handwheel adapter 245	78858	3/4"	245	1000

Underground hydrant set

(Art. no. 79598)

- Extendable extension (up to 1,500 mm)
- Adapter with six different coupling sleeves (DN 40 to DN 350)



Coupling sleeve acc. to DVGW GW336	X1 □ [mm]	X2 □ [mm]	X3 □ [mm]
Coupling sleeve for household	12	14	25
Coupling sleeve 14/17 DN 40/50	14	17	25
Coupling sleeve 17/19 DN 65/80	17	19	25
Coupling sleeve 19/22 DN 100/150	19	22	25
Coupling sleeve 24/27 DN 175/200	24	27	25
Coupling sleeve 27/32 DN 250/350	27	32	25



Accessories

Diagnostic Setting Software (DSS) (Art. no. 72032)

Locking of individual power settings enable tightening at a defined torque and electronic tool diagnostics at a PC.



Inverter (Art. no. 10233)

Recharge batteries while driving your car or from any common 12-V battery. Power: 300 Watts



6.0 Ah li-ion battery (Art. no. 75373)

For special requirements



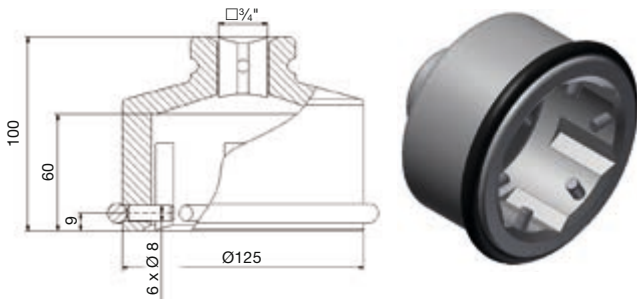
Charger, 230 V (Art. no. 77979) or 110 V (Art. no. 77980)

Rapid charger with active cooling and USB port for charging small electric devices like smartphones or tablets.



Custom designs

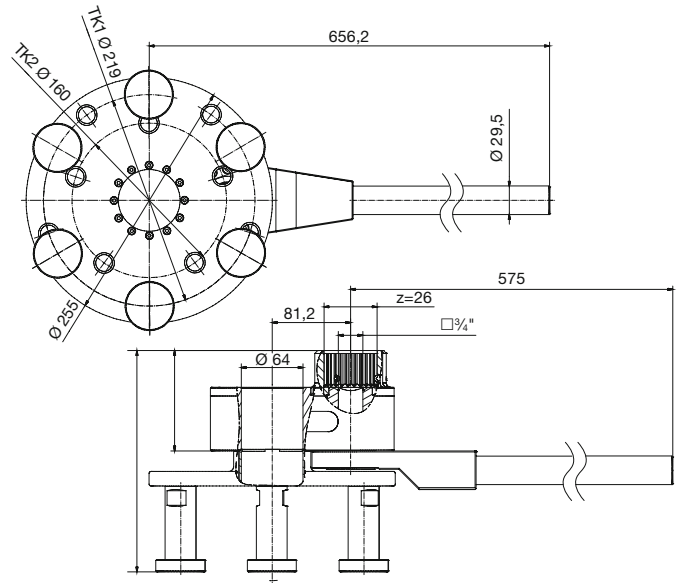
Ring hole socket for above-ground hydrants
(Art. no. 79711)



Custom designs available upon request

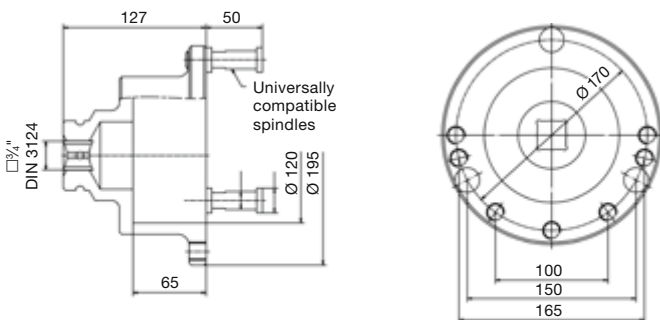
Offset gear
(Art. no. 79698)

Handwheel adapter for handwheels with protruding spindle



Custom designs available upon request

Gate valve socket for handwheels
(Art. no. 79690)



Our *motion* range is also available with electric or pneumatic drive: **DP***motion* & **DE***motion*

Utmost safety is especially important in potentially explosive workspaces, for example in the chemical or petroleum industries. This is why we have expanded our *motion* range to the DP pneumatic nutrunner: available as an ATEX-certified version, it meets the stringent requirements for almost all high-hazard EX zones.

Our reliable and robust electric nutrunners are included in our DEmotion range as well. They are perfectly suitable for valves and underground hydrants.

We move & we connect!



Battery nutrunners



Pneumatic nutrunners



Electric nutrunners



Hydraulic low clearance wrenches



Hydraulic square drive wrenches



Hydraulic tensioners



Manual torque multipliers



Hydraulic power packs



Measuring equipment

Feel the need to get moving?

Then get in touch with our experts right away – we're always happy to help!



Phone: +49 (0) 2245 62-999



e-mail: info@plarad.de



... a successful connection!

Maschinenfabrik Wagner GmbH & Co. KG
Birrenbachshöhe 17 · 53804 Much · Germany

www.plarad.de